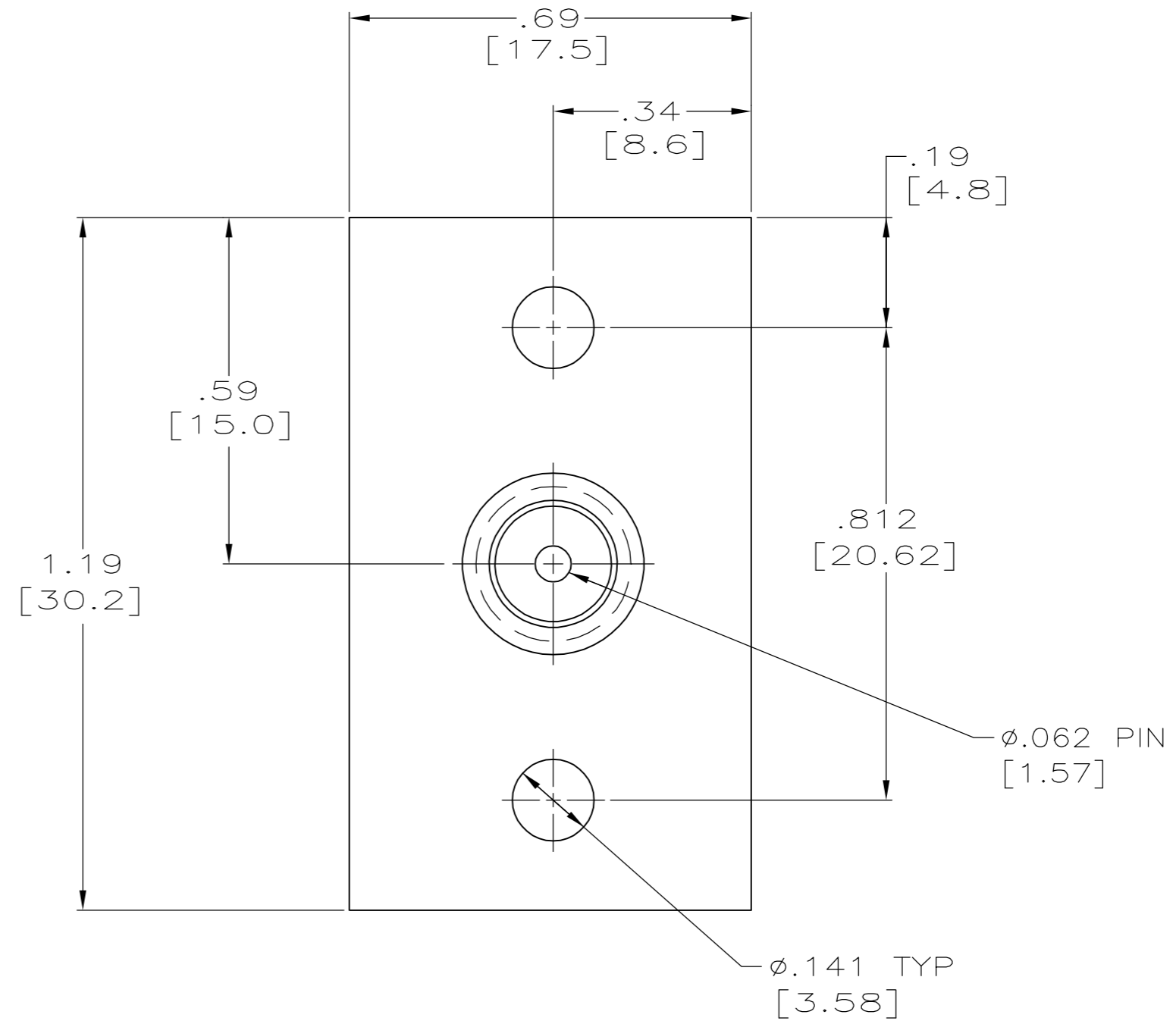
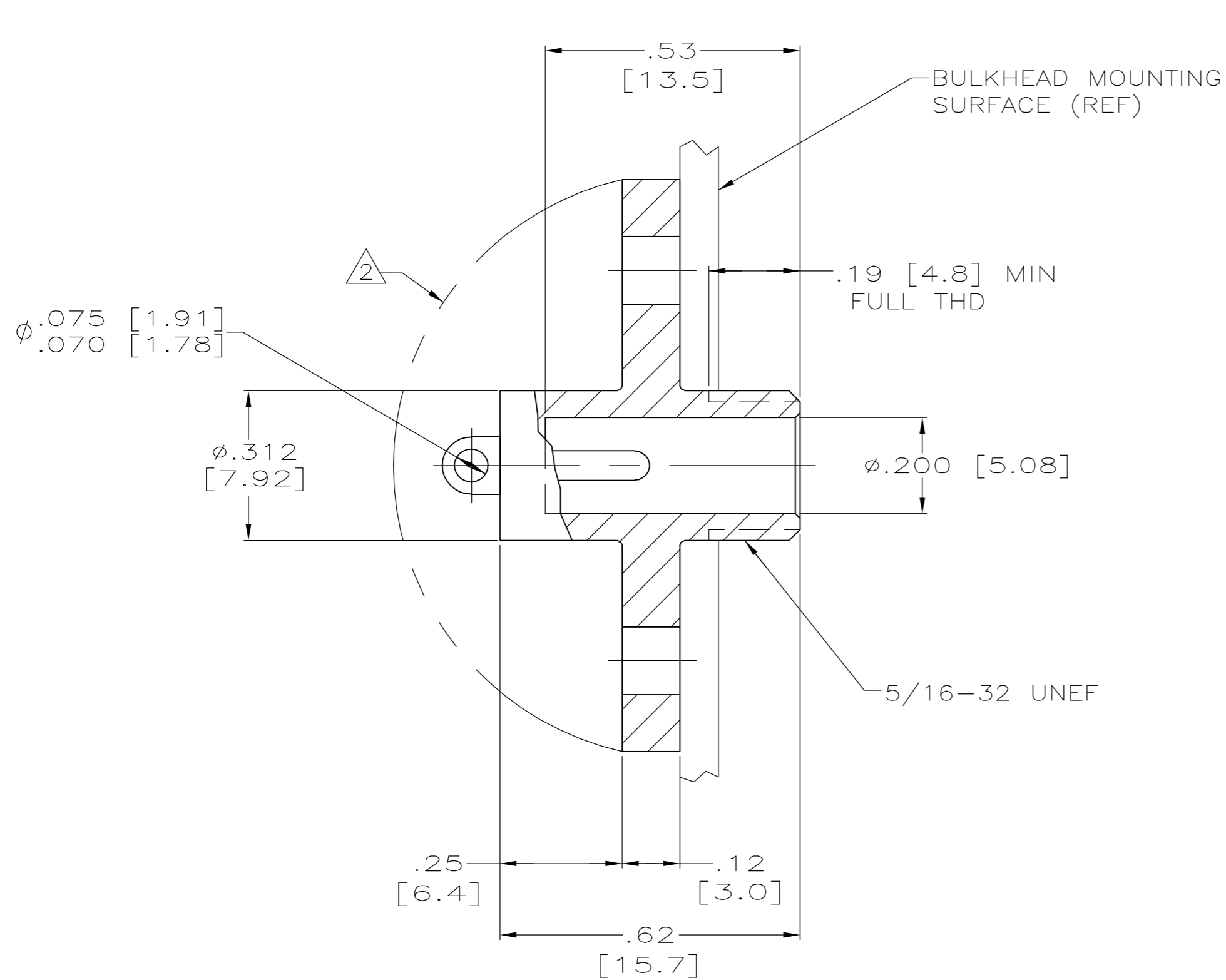


THIS DRAWING IS UNPUBLISHED. RELEASED FOR PUBLICATION - N/A .  
 © COPYRIGHT N/A BY TYCO ELECTRONICS CORPORATION. ALL RIGHTS RESERVED.

LOC	DIST	REVISIONS					
DF	SO	P	LTR	DESCRIPTION	DATE	DWN	APVD
		J		REV PER 0H14-0191-05	05-05	AA	DE

- RECEPTACLE TO MATE WITH AMP LGH-1/2 LEAD ASSY, AVAILABLE SEPARATELY.
- IF BULKHEAD AND MOUNTING HARDWARE ARE METALLIC AND AT GROUND POTENTIAL, PROVISIONS MUST BE MADE TO PROTECT THE RECEPTACLE'S BACK-END AGAINST ARC-OVER AND BREAKDOWN.



TIN	5-830395-1
GOLD	830395-2
TIN-LEAD	830395-1
TERMINAL PLATING	PART NUMBER

THIS DRAWING IS A CONTROLLED DOCUMENT.		DWN	29-AUG-91	Tyco Electronics Corporation	
DIMENSIONS: INCHES		CHK	10-SEP-91	Harrisburg, Pa 17105-3608	
TOLERANCES UNLESS OTHERWISE SPECIFIED:		APVD	10-SEP-91	NAME	
0 PLC	± -	S.GLATFELTER		FLANGED RECEPTACLE ASSY LGH-1/2	
1 PLC	± -	S.GLATFELTER		SIZE	CAGE CODE
2 PLC	± .02[0.5]	S.GLATFELTER		DRAWING NO	RESTRICTED TO
3 PLC	± .010[0.25]	PRODUCT SPEC		SCALE	SHEET
4 PLC	± -	APPLICATION SPEC		4:1	1 OF 1
ANGLES	± -	WEIGHT		5 GRAMS MAX	REV
FINISH	-	CUSTOMER DRAWING		A2	J
MATERIAL	EPOXY MLDG CMPD	CAGE CODE		00779	
	COLOR: BLACK	DRAWING NO		C=830395	